



Deutsch & Neumann can look back at a long tradition and many years of experience. The firm was founded in 1908 in Berlin Charlottenburg and is family owned today by its 4th generation. Building of machines was the main task of the company in the first 60 years but since the late 1940s rubber manufacturing has been added.

We manufacture today with the most modern type of injection molding equipment, some of which has been developed and built in house. With 20 years of experience in development work involving laboratory rubber items Deutsch & Neumann has become the specialist in this product area. Our own rubber mold manufacturing is the backbone of our R&D group. Here is where improvements in quality, production efficiency and new product development originate.

One of our best known products is certainly the pipette filler and its successor, the "Flip". Whereas the design concept of pipette fillers is over 60 years old, the product has been continuously improved by Deutsch & Neumann. It is both the small as well as the large improvements which we have made in the product group pipette fillers that has insured our leadership position in this product group. Only through this continuous effort in improvement we have become what we are today, the world's largest manufacturer of pipette fillers.

It is not only pipette fillers Deutsch & Neumann is known for. Often times its those little things that make the difference between success and failure. The true value of these things one really only appreciates when they are missing.

Deutsch & Neumann products are used in laboratories of all kinds of industries. Quality in workmanship and material guaranty the customer high value and functional security. The breadth and size of our product offering enables us to fill nearly all needs.

Our experience in building machinery, our competence in rubber manufacturing and new and fresh ideas, that is what makes our team. Our philosophy is clear: We are here for our customers. Challenge us. Call us with your problems, wishes and ideas. We make more out of rubber.

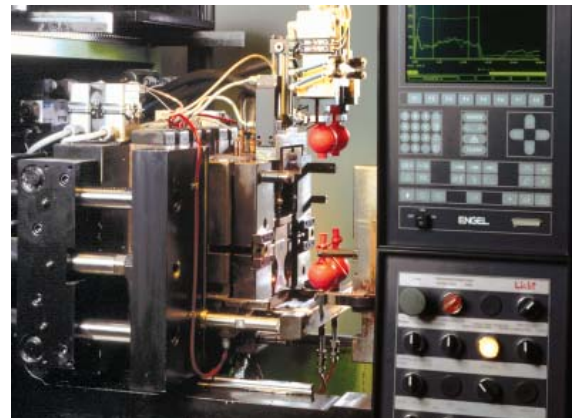


Table of Contents

| | Page No | | Page No |
|---|---------|-------------------------------|---------|
| Molded Items | | Gas Hoses | |
| Stoppers meeting DIN 12 871 | 2 | Safety Gas Hose | 9 |
| Stoppers for Butyrometer | 3 | Gas Hose for Gas Burners | 9 |
| Spiral Stoppers | 3 | Clipper Elektronic Lighter | 9 |
| Rubber Washers (Filter Disk) | 3 | | |
| Rubber Cuffs for Filtering | 3 | Tubing | |
| Rubber Spacers for Filtering (GUKO) | 4 | Laboratory Tubing - NR | 10 |
| Rubber Filter Rings | 4 | Laboratory Vacuum Tubing - NR | 10 |
| Hollow Stoppers | 4 | Tubing-Porous | 10 |
| Rubber Sleeve Stoppers | 5 | Silicone Tubing | 11 |
| Rubber Policeman | 5 | Silicone Vacuum Tubing | 11 |
| Rubber Spatulas | 5 | Viton [®] Tubing | 12 |
| Reagent Glassware Cleaner (Round Bottom Flask) | 5 | Butyl Tubing | 12 |
| | | Latex Tubing | 13 |
| | | Polyethylene Tubing | 13 |
| | | PVC Tubing | 14 |
| | | PVC with Reinforcing Webbing | 14 |
| | | PTFE Tubing | 15 |
| | | Perbunan Tubing | 15 |



Pipetting Devices

| | |
|-------------------------------------|---|
| Safety Pipette Filler | 6 |
| The >Flip< Safety Pipette Filler | 6 |
| Rubber Bulbs for Smaller Pipettes | 7 |
| Rubber Balloon | 7 |
| Rubber Balloon with Hose Connection | 7 |
| Vacuum / Pressure Bulb | 7 |
| Rubber Bulbs for Larger Pipettes | 8 |
| Rubber Bulb Set with Net | 8 |
| Atomizer Bulbs | 8 |



Sheets

| | |
|-------------------------|----|
| Laboratory-Mat | 16 |
| Silicone Sheets | 16 |
| Fluoroelastomere Sheets | 16 |

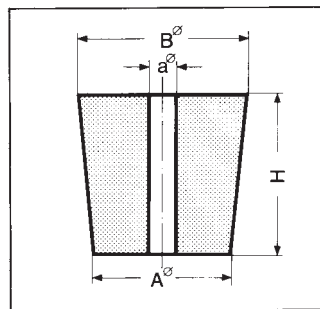
Specification Table

| | |
|---|----|
| Typical Properties of Vulcanized Rubber | 17 |
|---|----|

2 Rubber Stopper meeting DIN 12 871

Quality

Natural Rubber (NR), grey, Durometer 40 Shore A
 Natural Rubber (NR), red, Durometer 40 Shore A
 Acrylnitrile-Butadiene (NBR), black, Durometer 45 Shore A
 Chloroprene (CR), reddish-brown, Durometer 40 Shore A
 Silicone (VMQ), transparent, Durometer 50 Shore A



| A-Ø mm | B-Ø mm | H mm | a-Ø mm | Number of Holes | Catalog No NR grey | Catalog No NR red | Catalog No NBR | Catalog No CR | Catalog No Silicone |
|-----------|-----------|---------|-----------|--------------------|-----------------------|----------------------|-------------------|------------------|------------------------|
| 3,5 | 6,5 | 15 | - | - | 1010103 | 101 0203 | 101 0303 | 101 0403 | 101 0503 |
| 5 | 9 | 20 | - | - | 1010105 | 101 0205 | 101 0305 | 101 0405 | 101 0505 |
| 8 | 12 | 20 | - | - | 101 0108 | 101 0208 | 101 0308 | 101 0408 | 101 0508 |
| 10,5 | 14,5 | 20 | - | - | 101 0110 | 101 0210 | 101 0310 | 101 0410 | 101 0510 |
| 10,5 | 14,5 | 20 | 3 | 1 | 101 1110 | 101 1210 | 101 1310 | 101 1410 | 101 1510 |
| 12,5 | 16,5 | 20 | - | - | 101 0112 | 101 0212 | 101 0312 | 101 0412 | 101 0512 |
| 12,5 | 16,5 | 20 | 3 | 1 | 101 1112 | 101 1212 | 101 1312 | 101 1412 | 101 1512 |
| 14 | 18 | 20 | - | - | 101 0114 | 101 0214 | 101 0314 | 101 0414 | 101 0514 |
| 14 | 18 | 20 | 3 | 1 | 101 1114 | 101 1214 | 101 1314 | 101 1414 | 101 1514 |
| 14 | 18 | 20 | 3 | 2 | 101 2114 | 101 2214 | 101 2314 | 101 2414 | 101 2514 |
| 17 | 22 | 25 | - | - | 101 0117 | 101 0217 | 101 0317 | 101 0417 | 101 0517 |
| 17 | 22 | 25 | 4 | 1 | 101 1117 | 101 1217 | 101 1317 | 101 1417 | 101 1517 |
| 17 | 22 | 25 | 4 | 2 | 101 2117 | 101 2217 | 101 2317 | 101 2417 | 101 2517 |
| 18 | 24 | 30 | - | - | 101 0118 | 101 0218 | 101 0318 | 101 0418 | 101 0518 |
| 18 | 24 | 30 | 4 | 1 | 101 1118 | 101 1218 | 101 1318 | 101 1418 | 101 1518 |
| 18 | 24 | 30 | 4 | 2 | 101 2118 | 101 2218 | 101 2318 | 101 2418 | 101 2518 |
| 21 | 27 | 30 | - | - | 101 0121 | 101 0221 | 101 0321 | 101 0421 | 101 0521 |
| 21 | 27 | 30 | 5 | 1 | 101 1121 | 101 1221 | 101 1321 | 101 1421 | 101 1521 |
| 21 | 27 | 30 | 5 | 2 | 101 2121 | 101 2221 | 101 2321 | 101 2421 | 101 2521 |
| 23 | 29 | 30 | - | - | 101 0123 | 101 0223 | 101 0323 | 101 0423 | 101 0523 |
| 23 | 29 | 30 | 5 | 1 | 101 1123 | 101 1223 | 101 1323 | 101 1423 | 101 1523 |
| 23 | 29 | 30 | 5 | 2 | 101 2123 | 101 2223 | 101 2323 | 101 2423 | 101 2523 |
| 26 | 32 | 30 | - | - | 101 0126 | 101 0226 | 101 0326 | 101 0426 | 101 0526 |
| 26 | 32 | 30 | 6 | 1 | 101 1126 | 101 1226 | 101 1326 | 101 1426 | 101 1526 |
| 26 | 32 | 30 | 6 | 2 | 101 2126 | 101 2226 | 101 2326 | 101 2426 | 101 2526 |
| 29 | 35 | 30 | - | - | 101 0129 | 101 0229 | 101 0329 | 101 0429 | 101 0529 |
| 29 | 35 | 30 | 6 | 1 | 101 1129 | 101 1229 | 101 1329 | 101 1429 | 101 1529 |
| 29 | 35 | 30 | 6 | 2 | 101 2129 | 101 2229 | 101 2329 | 101 2429 | 101 2529 |
| 31 | 38 | 35 | - | - | 101 0131 | 101 0231 | 101 0331 | 101 0431 | 101 0531 |
| 31 | 38 | 35 | 7 | 1 | 101 1131 | 101 1231 | 101 1331 | 101 1431 | 101 1531 |
| 31 | 38 | 35 | 7 | 2 | 101 2131 | 101 2231 | 101 2331 | 101 2431 | 101 2531 |
| 36 | 44 | 40 | - | - | 101 0136 | 101 0236 | 101 0336 | 101 0436 | 101 0536 |
| 41 | 49 | 40 | - | - | 101 0141 | 101 0241 | 101 0341 | 101 0441 | 101 0541 |
| 47 | 55 | 40 | - | - | 101 0147 | 101 0247 | 101 0347 | 101 0447 | 101 0547 |
| 50,5 | 59,5 | 45 | - | - | 101 0150 | 101 0250 | 101 0350 | 101 0450 | 101 0550 |
| 56 | 65 | 45 | - | - | 101 0156 | 101 0256 | 101 0356 | 101 0456 | 101 0556 |
| 60 | 70 | 50 | - | - | 101 0160 | 101 0260 | 101 0360 | 101 0460 | 101 0560 |
| 64,5 | 75,5 | 55 | - | - | 101 0164 | 101 0264 | 101 0364 | 101 0464 | 101 0564 |
| 71 | 83 | 60 | - | - | 101 0171 | 101 0271 | 101 0371 | 101 0471 | 101 0571 |
| 79 | 92 | 65 | - | - | 101 0179 | 101 0279 | 101 0379 | 101 0479 | 101 0579 |
| 87 | 100 | 65 | - | - | 101 0187 | 101 0287 | 101 0387 | 101 0487 | 101 0587 |
| 94 | 107 | 65 | - | - | 101 0194 | 101 0294 | 101 0394 | 101 0494 | 101 0594 |



Non standardized borings are deliverable as manual borings from Ø 3 mm until Ø 60 mm.

Back

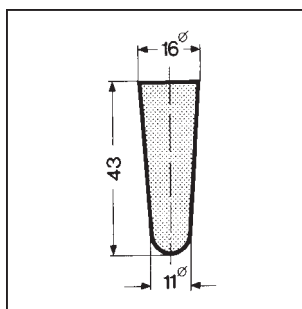
Stoppers for Butyrometers

Quality

EPDM, grey (appropriate for determination of fat in milk-products)

Catalog No Quality

130 1102 EPDM



Spiral Stoppers

with spiral hole throughout stopper

Quality

Natural Rubber (NR)

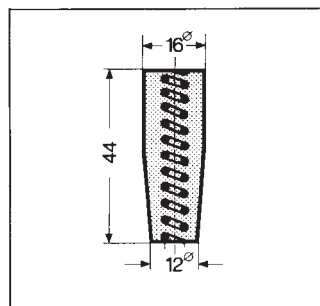
Catalog No Rubber Type Colour

255 1012 NR red

255 2012 NR yellow

255 3012 NR green

255 4012 NR blue



Rubber Washers (filter disk)

Quality

Natural Rubber (NR)
red, Durometer 40 Shore A

| Catalog No | Inner-Ø mm | Outer-Ø mm | Height mm |
|------------|------------|------------|-----------|
| 240 1265 | 12 | 65 | 5 |
| 240 2570 | 25 | 70 | 7 |
| 240 3575 | 35 | 75 | 7 |
| 240 4010 | 40 | 100 | 7 |



Rubber Cuffs for Filtering

Quality

Natural Rubber (NR)
red

| Catalog No | Inner-Ø mm | Outer-Ø mm | Height mm |
|------------|------------|------------|-----------|
| 245 2026 | 20 | 26 | 15 |
| 245 2533 | 25 | 33 | 15 |
| 245 3441 | 34 | 41 | 15 |
| 245 4149 | 41 | 49 | 15 |

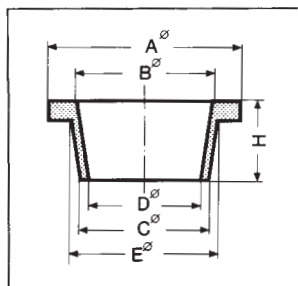


Molded Items

4 Filter Ring with Flange

Quality

Natural Rubber (NR)
grey/red Durometer 40 Shore A

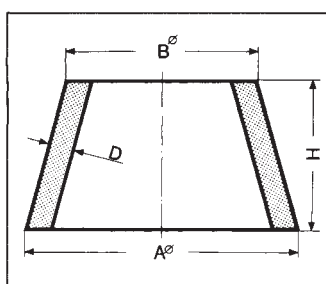


| Catalog No grey | Catalog No red | A-Ø mm | B-Ø mm | C-Ø mm | D-Ø mm | E-Ø mm | H mm |
|-----------------|----------------|--------|--------|--------|--------|--------|------|
| 235 0011 | 235 0012 | 41 | 25 | 24 | 18 | 30 | 20 |
| 235 0021 | 235 0022 | 48 | 35 | 32 | 28 | 36 | 20 |
| 235 0031 | 235 0032 | 56 | 40 | 42 | 35 | 44 | 20 |

Rubber Spacers for Filtering (GUKO)

Quality

Natural Rubber (NR)
Durometer 40 Shore A



| Catalog No grey | Catalog No red | A-Ø mm | B-Ø mm | H mm | D mm | Size |
|-----------------|----------------|--------|--------|------|------|------|
| 201 0011 | 201 0012 | 21 | 12 | 18 | 2,5 | 1 |
| 201 0021 | 201 0022 | 27 | 17 | 20 | 3 | 2 |
| 201 0031 | 201 0032 | 33 | 21 | 24 | 3 | 3 |
| 201 0041 | 201 0042 | 41 | 27,5 | 27 | 4 | 4 |
| 201 0051 | 201 0052 | 53 | 33 | 34 | 5 | 5 |
| 201 0061 | 201 0062 | 68 | 48 | 35 | 5,5 | 6 |
| 201 0071 | 201 0072 | 78 | 58 | 35 | 6 | 7 |
| 201 0081 | 201 0082 | 89 | 66 | 40 | 6,5 | 8 |

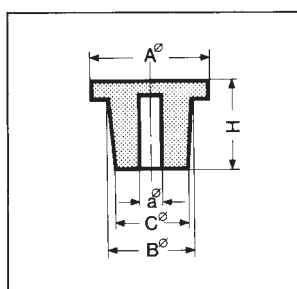
Guko-Sets

| Catalog No | Colour | Sizes |
|------------|--------|--------------|
| 201 0181 | grey | 1-8 8 Pieces |
| 201 0182 | red | 1-8 8 Pieces |

Hollow Stoppers

Quality

Natural Rubber (NR), grey/red
Silicone (VMQ), transparent



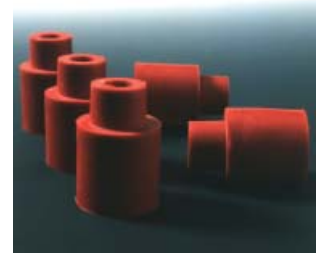
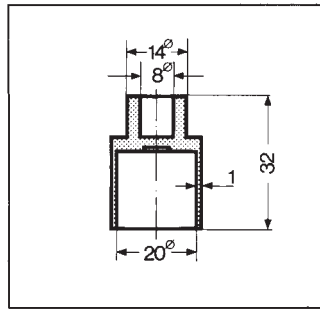
| Catalog No grey | Catalog No red | Catalog No transparent | Durometer Shore A | A-Ø mm | B-Ø mm | C-Ø mm | a-Ø mm | H mm |
|-----------------|----------------|------------------------|-------------------|--------|--------|--------|--------|------|
| 215 1019 | 215 2019 | 215 5019 | 40 | 19 | 14 | 12 | 6 | 18 |
| 215 1021 | 215 2021 | 215 5021 | 40 | 21 | 16 | 14 | 8 | 19 |
| 215 1027 | 215 2027 | 215 5027 | 50 | 27 | 19 | 17 | 10 | 20 |

Rubber Sleeve Stoppers

Quality

Natural Rubber (NR), red, Durometer 40 Shore A,
Silicone (VMQ), transparent, Durometer 50 Shore A

| Catalog No | Rubber Type |
|------------|-------------|
| 210 0814 | NR |
| 210 5814 | VMQ |



Rubber Policeman

Quality

Natural Rubber (NR), grey/red
5 mm hole for insert

| Catalog No grey | Catalog No red | Durometer Shore A |
|-----------------|----------------|-------------------|
| 225 0001 | 225 0002 | 40 |



Rubber Spatulas

Quality

Natural Rubber (NR), grey/red
Silicone (VMQ), transparent
5 mm hole for insert

| Catalog No | Quality | Colour | Durometer Shore A |
|------------|---------|-------------|-------------------|
| 226 0001 | NR | grey | 40 |
| 226 0002 | NR | red | 40 |
| 226 0003 | VMQ | transparent | 50 |

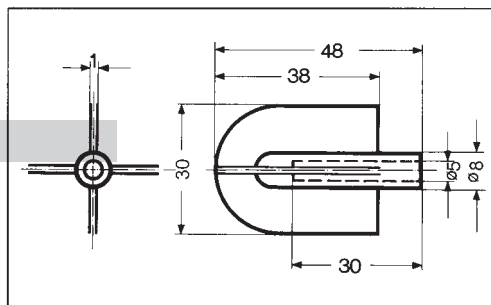


Reagent Glassware Cleaner (Round Bottom Styles)

Quality

Natural Rubber (NR)
grey

| Catalog No | Durometer Shore A |
|------------|-------------------|
| 230 0001 | 40 |



6 Safety Pipette Filler

Quality

Natural Rubber (NR)
Silicone (VMQ)

| Catalog No | Colour | Model |
|------------|-------------|-------------------|
| 470 0001 | red | Standard |
| 470 0002 | red | Longer Neck |
| 470 0091 | multicolour | Standard |
| 470 9908 | red | Standard-Silicone |



standard-multicolour



The >Flip™< Safety Pipette Filler

Quality

Natural Rubber (NR)

| Catalog No | Colour |
|------------|--------|
| 471 0001 | red |
| 471 0011 | black |
| 471 0021 | green |
| 471 0031 | blue |
| 471 0041 | yellow |

This one-handed design is the simplest safety pipette filler to use available

- Only two operating points
- Evacuate via the new automatic valve
- Ability to clean inside of bulb by removing patented valve and rinsing out

Euro-Pat. No. 637266
US-Pat. No. 5510083



Operating instructions >Flip™<

1. Evacuate via the new automatic valve



2. Intake by pressure on operating point (↑)



3. Drain by pressure on operating point (↓)



4. Blow out the pipette (no valve actuation necessary)



5. Remove the valve for easy inside cleaning



6. Replace the valve



Rubber Bulbs for Smaller Pipettes (Pasteur Pipette Bulb)

Quality

Natural Rubber (NR)

Silicone (VMQ)

| Catalog No | Colour | Quality | pack unit |
|------------|---------------|---------|-----------|
| 460 0002 | transparent | NR | 100 |
| 460 0003 | transp./white | VMQ | 100 |
| 460 0004 | red | NR/SBR | 100 |



Rubber Balloon

Quality

Natural Rubber (NR)

transparent

Catalog No

440 0001



Rubber Balloon with Hose Connection

Quality

Latex (NR), for Rotary Evaporators, suitable for mixture or collection and short-term storage of gases, for control of air/gas entry or tread out of gas in instruments

| Catalog No | Size | Volume (approx.) |
|------------|------|------------------|
| 450 0002 | 5 | 1,5 to 2 Litre |
| 450 0003 | 8 | 3,5 to 4 Litre |



Vacuum/Pressure Bulb

Quality

PVC - soft, reddish-brown

Complete with vacuum and pressure PE valves

Catalog No

430 0001



8 Rubber Bulbs for Larger Pipettes

Quality

PVC - soft, reddish-brown
with 6 mm Ø hole

| Catalog No | Size | Volume ccm | Bulb diameter mm |
|------------|--------|------------|------------------|
| 401 2520 | B oval | 5 | 25 oval |
| 401 0000 | 0 | 8 | 30 |
| 401 0011 | 2 | 25 | 42 |
| 401 0012 | 3 | 40 | 48 |
| 401 0002 | 5 | 89 | 62 |
| 401 0005 | 7 | 143 | 72 |
| 401 0007 | 9 | 224 | 84 |
| 401 0010 | 11 | 347 | 94 |



Rubber Bulb Set with Net

Quality

PVC - soft
Natural Rubber (NR)
black

| Catalog No | Size |
|------------|------|
| 410 0003 | 5 |



Atomizer Bulbs

Quality

PVC - soft, reddish-brown

| Catalog No | Valve | Size |
|------------|----------|------|
| 420 0003 | Pressure | 3 |
| 420 0005 | Pressure | 5 |
| 425 0003 | Vacuum | 3 |



Safety Gas Hose

for gas burners meeting DIN 30 665 and all gases meeting DVGW-Work Code G 260
Working pressure to 100 mbar
DVGW-tested and registered

| Catalog No | Length mm |
|------------|-----------|
| 360 8050 | 500 |
| 360 8060 | 600 |
| 360 8075 | 750 |
| 360 8100 | 1000 |
| 360 8125 | 1250 |
| 360 8150 | 1500 |
| 360 8200 | 2000 |
| 360 8300 | 3000 |



Gas Hose for Gas Burners

DIN 30 665 section 1
for all gases meeting DVGW-Work Code G 260
Working pressure 100 mbar
DVGW-tested and registered

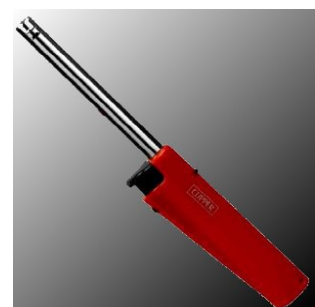
| Catalog No | Inner-Ø mm | Outer-Ø mm | Wall Thickness mm | Roll Length m |
|------------|------------|------------|-------------------|---------------|
| 370 0001 | 10 | 14 | 2 | 40 - 45 |



Clipper Electronic Lighter

Wireless, without batteries and flint

| Catalog No |
|------------|
| 380 0001 |



10 Laboratory Tubing

Quality

Natural Rubber (NR), red
Durometer 50 Shore A



| Catalog No | Inner-Ø mm | Outer-Ø mm | Wall Thickness mm |
|------------|------------|------------|-------------------|
| 301 0204 | 2 | 4 | 1 |
| 301 0305 | 3 | 5 | 1 |
| 301 0306 | 3 | 6 | 1,5 |
| 301 0406 | 4 | 6 | 1 |
| 301 0407 | 4 | 7 | 1,5 |
| 301 0408 | 4 | 8 | 2 |
| 301 0508 | 5 | 8 | 1,5 |
| 301 0509 | 5 | 9 | 2 |
| 30 10609 | 6 | 9 | 1,5 |
| 301 0610 | 6 | 10 | 2 |
| 301 0710 | 7 | 10 | 1,5 |
| 301 0711 | 7 | 11 | 2 |
| 301 0812 | 8 | 12 | 2 |
| 301 0913 | 9 | 13 | 2 |
| 301 1014 | 10 | 14 | 2 |
| 301 1217 | 12 | 17 | 2,5 |
| 301 1319 | 13 | 19 | 3 |
| 301 1420 | 14 | 20 | 3 |
| 301 1521 | 15 | 21 | 3 |
| 301 1622 | 16 | 22 | 3 |
| 301 1824 | 18 | 24 | 3 |
| 301 2028 | 20 | 28 | 4 |
| 301 2533 | 25 | 33 | 4 |

| Catalog No | Inner-Ø mm | Outer-Ø mm | Wall Thickness mm |
|----------------|------------|------------|-------------------|
| Vacuum Quality | | | |
| 302 0309 | 3 | 9 | 3 |
| 302 0412 | 4 | 12 | 4 |
| 302 0513 | 5 | 13 | 4 |
| 302 0515 | 5 | 15 | 5 |
| 302 0612 | 6 | 12 | 3 |
| 302 0614 | 6 | 14 | 4 |
| 302 0616 | 6 | 16 | 5 |
| 302 0618 | 6 | 18 | 6 |
| 302 0715 | 7 | 15 | 4 |
| 302 0717 | 7 | 17 | 5 |
| 302 0816 | 8 | 16 | 4 |
| 302 0818 | 8 | 18 | 5 |
| 302 0820 | 8 | 20 | 6 |
| 302 0824 | 8 | 24 | 8 |
| 302 1016 | 10 | 16 | 3 |
| 302 1020 | 10 | 20 | 5 |
| 302 1026 | 10 | 26 | 8 |
| 302 1030 | 10 | 30 | 10 |
| 302 1222 | 12 | 22 | 5 |
| 302 1228 | 12 | 28 | 8 |
| 302 1531 | 15 | 31 | 8 |

Roll Length 25 m

Tubing-Porous Rubber

Quality

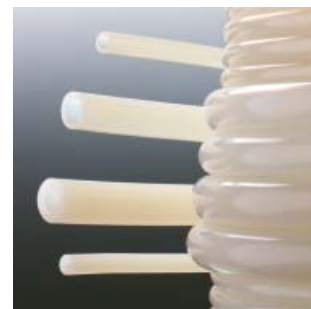
Based on synthetic rubber, for insulation purposes, highly flexible closed-cell insulation material with high water vapour resistance and low thermal conductivity

| Catalog No | Inner-Ø mm | Outer-Ø mm | Wall Thickness mm |
|------------|------------|------------|-------------------|
| 330 1025 | 11-12,5 | 30 | 9 |
| 330 1216 | 13-14,5 | 32 | 9 |
| 330 1530 | 16-17,5 | 35 | 9 |
| 330 2235 | 23-24,5 | 42 | 9 |

Roll Length 25 m



Silicone Tubing



Quality

Silicon Rubber (VMQ), meets the following standards:
 BFR XV, FDA CFR 21 § 177.2600, EP - Europ. Pharmacopoeia
 Test for biocompatibility according to ISO 10993-1
 transparent, Durometer 55 Shore A,
 temperature range -60° C to +200° C
 short periods up to +260° C

| Catalog No | Inner-Ø mm | Outer-Ø mm | Wall Thickness mm | Roll Length m |
|------------|---------------|---------------|----------------------|------------------|
| 310 0504 | 0,5 | 1,3 | 0,4 | 25 |
| 310 0525 | 0,5 | 2,5 | 1 | 25 |
| 310 0804 | 0,8 | 1,6 | 0,4 | 25 |
| 310 0118 | 1 | 1,8 | 0,4 | 25 |
| 310 0103 | 1 | 3 | 1 | 25 |
| 310 0104 | 1 | 4 | 1,5 | 25 |
| 310 0106 | 1 | 6 | 2,5 | 25 |
| 310 1523 | 1,5 | 2,3 | 0,4 | 25 |
| 310 1503 | 1,5 | 3 | 0,75 | 25 |
| 310 1535 | 1,5 | 3,5 | 1 | 25 |
| 310 1504 | 1,5 | 4 | 1,25 | 25 |
| 310 0226 | 2 | 2,6 | 0,3 | 25 |
| 310 0228 | 2 | 2,8 | 0,4 | 25 |
| 310 0204 | 2 | 4 | 1 | 25 |
| 310 0205 | 2 | 5 | 1,5 | 25 |
| 310 0206 | 2 | 6 | 2 | 25 |
| 310 2533 | 2,5 | 3,3 | 0,4 | 25 |
| 310 2545 | 2,5 | 4,5 | 1 | 25 |
| 310 0338 | 3 | 3,8 | 0,4 | 25 |
| 310 0305 | 3 | 5 | 1 | 25 |
| 310 0306 | 3 | 6 | 1,5 | 25 |
| 310 0307 | 3 | 7 | 2 | 25 |
| 310 0405 | 4 | 5 | 0,5 | 25 |
| 310 0406 | 4 | 6 | 1 | 25 |
| 310 0407 | 4 | 7 | 1,5 | 25 |
| 310 0408 | 4 | 8 | 2 | 25 |
| 310 0409 | 4 | 9 | 2,5 | 25 |
| 310 0506 | 5 | 6 | 0,5 | 25 |
| 310 0507 | 5 | 7 | 1 | 25 |
| 310 0508 | 5 | 8 | 1,5 | 25 |
| 310 0509 | 5 | 9 | 2 | 25 |
| 310 0510 | 5 | 10 | 2,5 | 25 |
| 310 0608 | 6 | 8 | 1 | 25 |
| 310 0609 | 6 | 9 | 1,5 | 25 |
| 310 0610 | 6 | 10 | 2 | 25 |
| 310 0709 | 7 | 9 | 1 | 25 |
| 310 0710 | 7 | 10 | 1,5 | 25 |
| 310 0711 | 7 | 11 | 2 | 25 |

| Catalog No | Inner-Ø mm | Outer-Ø mm | Wall Thickness mm | Roll Length m |
|------------|---------------|---------------|----------------------|------------------|
| 310 0810 | 8 | 10 | 1 | 25 |
| 310 0811 | 8 | 11 | 1,5 | 25 |
| 310 0812 | 8 | 12 | 2 | 25 |
| 310 0814 | 8 | 14 | 3 | 25 |
| 310 0815 | 8 | 15 | 3,5 | 25 |
| 310 0912 | 9 | 12 | 1,5 | 25 |
| 310 0913 | 9 | 13 | 2 | 25 |
| 310 1013 | 10 | 13 | 1,5 | 25 |
| 310 1014 | 10 | 14 | 2 | 25 |
| 310 1015 | 10 | 15 | 2,5 | 25 |
| 310 1016 | 10 | 16 | 3 | 25 |
| 310 1018 | 10 | 18 | 4 | 25 |
| 310 1115 | 11 | 15 | 2 | 25 |
| 310 1216 | 12 | 16 | 2 | 25 |
| 310 1218 | 12 | 18 | 3 | 25 |
| 310 1319 | 13 | 19 | 3 | 25 |
| 310 1420 | 14 | 20 | 3 | 25 |
| 310 1521 | 15 | 21 | 3 | 20 |
| 310 1621 | 16 | 21 | 2,5 | 20 |
| 310 1824 | 18 | 24 | 3 | 20 |
| 310 2026 | 20 | 26 | 3 | 20 |
| 310 2534 | 25 | 33 | 4 | 15 |

| Catalog No | Inner-Ø mm | Outer-Ø mm | Wall Thickness mm | Roll Length m |
|----------------|---------------|---------------|----------------------|------------------|
| Vacuum Quality | | | | |
| 311 0309 | 3 | 9 | 3 | 25 |
| 311 0412 | 4 | 12 | 4 | 25 |
| 311 0515 | 5 | 15 | 5 | 15 |
| 311 0612 | 6 | 12 | 3 | 25 |
| 311 0713 | 7 | 13 | 3 | 25 |
| 311 0715 | 7 | 15 | 4 | 25 |
| 311 0717 | 7 | 17 | 5 | 15 |
| 311 0816 | 8 | 16 | 4 | 25 |
| 311 0818 | 8 | 18 | 5 | 15 |
| 311 1020 | 10 | 20 | 5 | 15 |
| 311 1222 | 12 | 22 | 5 | 15 |

Viton® Rubber Tubing

Quality

Fluoroelastomer Rubber (FPM), black
 Temperature range -10° C to over +200° C
 Good resistance to ozone and weathering,
 as well as benzene and mineral oil



| Catalog No | Inner-Ø mm | Outer-Ø mm | Wall Thickness mm |
|------------|------------|------------|-------------------|
| 320 0204 | 2 | 4 | 1 |
| 320 0305 | 3 | 5 | 1 |
| 320 0307 | 3 | 7 | 2 |
| 320 0406 | 4 | 6 | 1 |
| 320 0407 | 4 | 7 | 1,5 |
| 320 0408 | 4 | 8 | 2 |
| 320 0507 | 5 | 7 | 1 |
| 320 0508 | 5 | 8 | 1,5 |
| 320 0608 | 6 | 8 | 1 |
| 320 0609 | 6 | 9 | 1,5 |
| 320 0610 | 6 | 10 | 2 |
| 320 0709 | 7 | 9 | 1 |
| 320 0710 | 7 | 10 | 1,5 |

| Catalog No | Inner-Ø mm | Outer-Ø mm | Wall Thickness mm |
|------------|------------|------------|-------------------|
| 320 0711 | 7 | 11 | 2 |
| 320 0810 | 8 | 10 | 1 |
| 320 0811 | 8 | 11 | 1,5 |
| 320 0812 | 8 | 12 | 2 |
| 320 0912 | 9 | 12 | 1,5 |
| 320 0913 | 9 | 13 | 2 |
| 320 1012 | 10 | 12 | 1 |
| 320 1014 | 10 | 14 | 2 |
| 320 1216 | 12 | 16 | 2 |

Roll Length 25 m

Butyl Rubber Tubing

Quality

Butyl Rubber (IIR)
 black, without reinforcement, largely impermeable to gas
 air diffusion approximatley 1/8 that of standard rubber
 tubing, temperature range up to +100° C



| Catalog No | Inner-Ø mm | Outer-Ø mm | Wall Thickness mm |
|------------|------------|------------|-------------------|
| 322 0307 | 3 | 7 | 2 |
| 322 0610 | 6 | 10 | 2 |
| 322 0614 | 6 | 14 | 4 |
| 322 0812 | 8 | 12 | 2 |
| 322 1014 | 10 | 14 | 2 |
| 322 1216 | 12 | 16 | 2 |

Roll Length 25m

Latex Tubing

Quality

Natural Rubber (NR)
light, transparent
sterilizable to 120° C



| Catalog No | Inner-Ø mm | Outer-Ø mm | Wall Thickness mm |
|------------|------------|------------|-------------------|
| 305 0204 | 2 | 4 | 1 |
| 305 0206 | 2 | 6 | 2 |
| 305 0305 | 3 | 5 | 1 |
| 305 0306 | 3 | 6 | 1,5 |
| 305 0307 | 3 | 7 | 2 |
| 305 0406 | 4 | 6 | 1 |
| 305 0407 | 4 | 7 | 1,5 |
| 305 0408 | 4 | 8 | 2 |
| 305 0507 | 5 | 7 | 1 |
| 305 0508 | 5 | 8 | 1,5 |
| 305 0509 | 5 | 9 | 2 |

| Catalog No | Inner-Ø mm | Outer-Ø mm | Wall Thickness mm |
|------------|------------|------------|-------------------|
| 305 0608 | 6 | 8 | 1 |
| 305 0609 | 6 | 9 | 1,5 |
| 305 0610 | 6 | 10 | 2 |
| 305 0612 | 6 | 12 | 3 |
| 305 0710 | 7 | 10 | 1,5 |
| 305 0711 | 7 | 11 | 2 |
| 305 0812 | 8 | 12 | 2 |
| 305 0913 | 9 | 13 | 2 |
| 305 0914 | 9 | 14 | 2,5 |
| 305 1014 | 10 | 14 | 2 |
| 305 1016 | 10 | 16 | 3 |
| 305 1217 | 12 | 17 | 2,5 |

Roll Length 10 m

Polyethylene (PE) Tubing

Quality

transparent, smell and flavor free, resistant to acids, bases, alcohols, and salt solutions thought a temperature of 80° C



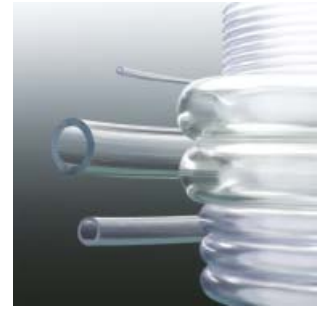
| Catalog No | Inner-Ø mm | Outer-Ø mm | Wall Thickness mm | Roll Length m |
|------------|------------|------------|-------------------|---------------|
| 355 0501 | 0,5 | 1 | 0,25 | 100 |
| 355 0118 | 1 | 1,8 | 0,4 | 100 |
| 355 1535 | 1,5 | 3,5 | 1 | 100 |
| 355 0228 | 2 | 2,8 | 0,4 | 100 |
| 355 0204 | 2 | 4 | 1 | 100 |
| 355 0304 | 3 | 4 | 0,5 | 100 |
| 355 0305 | 3 | 5 | 1 | 100 |
| 355 0405 | 4 | 5 | 0,5 | 100 |
| 355 0406 | 4 | 6 | 1 | 100 |
| 355 0507 | 5 | 7 | 1 | 100 |
| 355 0608 | 6 | 8 | 1 | 100 |
| 355 0609 | 6 | 9 | 1,5 | 100 |

| Catalog No | Inner-Ø mm | Outer-Ø mm | Wall Thickness mm | Roll Length m |
|------------|------------|------------|-------------------|---------------|
| 355 0709 | 7 | 9 | 1 | 100 |
| 355 0710 | 7 | 10 | 1,5 | 50 |
| 355 0810 | 8 | 10 | 1 | 100 |
| 355 0811 | 8 | 11 | 1,5 | 50 |
| 355 0911 | 9 | 11 | 1 | 50 |
| 355 0913 | 9 | 13 | 2 | 50 |
| 355 1012 | 10 | 12 | 1 | 50 |
| 355 1013 | 10 | 13 | 1,5 | 50 |
| 355 1014 | 10 | 14 | 2 | 50 |
| 355 1214 | 12 | 14 | 1 | 50 |
| 355 1215 | 12 | 15 | 1,5 | 50 |
| 355 1216 | 12 | 16 | 2 | 50 |

PVC Tubing

Quality

Polyvinylchloride (PVC)
transparent
Heat resistant to 60° C



| Catalog No | Inner-Ø mm | Outer-Ø mm | Wall Thickness mm | Roll Length m |
|------------|------------|------------|-------------------|---------------|
| 350 0501 | 0,5 | 1 | 0,25 | 100 |
| 350 0118 | 1 | 1,8 | 0,4 | 100 |
| 350 1521 | 1,5 | 2,1 | 0,3 | 100 |
| 350 0203 | 2 | 3 | 0,5 | 100 |
| 350 0204 | 2 | 4 | 1 | 100 |
| 350 0304 | 3 | 4 | 0,5 | 100 |
| 350 0305 | 3 | 5 | 1 | 100 |
| 350 0306 | 3 | 6 | 1,5 | 100 |
| 350 0405 | 4 | 5 | 0,5 | 100 |
| 350 0406 | 4 | 6 | 1 | 100 |
| 350 0407 | 4 | 7 | 1,5 | 100 |
| 350 0408 | 4 | 8 | 2 | 100 |
| 350 0507 | 5 | 7 | 1 | 100 |
| 350 0508 | 5 | 8 | 1,5 | 100 |
| 350 0509 | 5 | 9 | 2 | 100 |
| 350 0608 | 6 | 8 | 1 | 100 |
| 350 0609 | 6 | 9 | 1,5 | 100 |
| 350 0610 | 6 | 10 | 2 | 50 |
| 350 0710 | 7 | 10 | 1,5 | 50 |
| 350 0711 | 7 | 11 | 2 | 50 |
| 350 0810 | 8 | 10 | 1 | 50 |
| 350 0811 | 8 | 11 | 1,5 | 50 |

| Catalog No | Inner-Ø mm | Outer-Ø mm | Wall Thickness mm | Roll Length m |
|------------|------------|------------|-------------------|---------------|
| 350 0812 | 8 | 12 | 2 | 50 |
| 350 0912 | 9 | 12 | 1,5 | 50 |
| 350 0913 | 9 | 13 | 2 | 50 |
| 350 1013 | 10 | 13 | 1,5 | 50 |
| 350 1014 | 10 | 14 | 2 | 50 |
| 350 1016 | 10 | 16 | 3 | 50 |
| 350 1215 | 12 | 15 | 1,5 | 50 |
| 350 1216 | 12 | 16 | 2 | 50 |
| 350 1218 | 12 | 18 | 3 | 50 |
| 350 1317 | 13 | 17 | 2 | 50 |
| 350 1319 | 13 | 19 | 3 | 50 |
| 350 1519 | 15 | 19 | 2 | 50 |
| 350 1620 | 16 | 20 | 2 | 50 |
| 350 1822 | 18 | 22 | 2 | 50 |
| 350 1824 | 18 | 24 | 3 | 50 |
| 350 1927 | 19 | 27 | 4 | 50 |
| 350 2026 | 20 | 26 | 3 | 50 |
| 350 2228 | 22 | 28 | 3 | 50 |
| 350 2534 | 25 | 34 | 4 | 25 |
| 350 3039 | 30 | 39 | 4,5 | 25 |
| 350 3545 | 35 | 45 | 5 | 25 |
| 350 4050 | 40 | 50 | 5 | 25 |

PVC Tubing with reinforcement

Quality

Polyvinylchloride (PVC), transparent
Through the crystal clear tubing and wide reinforcing net one can view the flowing medium unobstructed. The tubing has outstanding resistance to a wide variety of chemicals and as well as oil and benzine.



| Catalog No | Inner-Ø mm | Outer-Ø mm | Wall Thickness mm | Working Pressure bar/20° C Water | Roll Length m |
|------------|------------|------------|-------------------|----------------------------------|---------------|
| 351 0410 | 4 | 10 | 3 | 27 | 50 |
| 351 0511 | 5 | 11 | 3 | 23 | 50 |
| 351 0612 | 6 | 12 | 3 | 25 | 50 |
| 351 0814 | 8 | 14 | 3 | 23 | 50 |
| 351 0915 | 9 | 15 | 3 | 20 | 50 |
| 351 1016 | 10 | 16 | 3 | 17 | 50 |
| 351 1221 | 12 | 21 | 4,5 | 15 | 50 |
| 351 1219 | 12,5 | 18 | 3 | 14 | 50 |
| 351 1320 | 13 | 20 | 3,5 | 14 | 50 |
| 351 1624 | 16 | 24 | 4 | 14 | 50 |
| 351 1927 | 19 | 27 | 4 | 12 | 50 |
| 351 2534 | 25 | 34 | 4,5 | 9 | 25 |
| 351 3242 | 32 | 42 | 5 | 8 | 25 |
| 351 3848 | 38 | 48 | 5 | 6 | 25 |

PTFE Tubing

Quality

Polytetrafluorethylene (PTFE)
white, without pressure heat resistant to 270° C
FDA CFR 21 , §177.1550



| Catalog No | Inner-Ø mm | Outer-Ø mm | Wall Thickness mm |
|------------|------------|------------|-------------------|
| 340 0315 | 0,3 | 1,5 | 0,6 |
| 340 0501 | 0,5 | 1 | 0,25 |
| 340 0516 | 0,5 | 1,6 | 0,55 |
| 340 0613 | 0,6 | 1,3 | 0,35 |
| 340 0813 | 0,8 | 1,3 | 0,25 |
| 340 0115 | 1 | 1,5 | 0,25 |
| 340 0102 | 1 | 2 | 0,5 |
| 340 0103 | 1 | 3 | 1 |
| 340 0175 | 1,15 | 1,75 | 0,3 |
| 340 1318 | 1,3 | 1,8 | 0,25 |
| 340 1521 | 1,5 | 2,1 | 0,3 |
| 340 1503 | 1,5 | 3 | 0,75 |
| 340 0203 | 2 | 3 | 0,5 |
| 340 0204 | 2 | 4 | 1 |
| 340 2732 | 2,7 | 3,2 | 0,25 |
| 340 0304 | 3 | 4 | 0,5 |

| Catalog No | Inner-Ø mm | Outer-Ø mm | Wall Thickness mm |
|------------|------------|------------|-------------------|
| 340 0305 | 3 | 5 | 1 |
| 340 0405 | 4 | 5 | 0,5 |
| 340 0406 | 4 | 6 | 1 |
| 340 4565 | 4,5 | 6,5 | 1 |
| 340 0506 | 5 | 6 | 0,5 |
| 340 0507 | 5 | 7 | 1 |
| 340 0607 | 6 | 7 | 0,5 |
| 340 0608 | 6 | 8 | 1 |
| 340 0785 | 7 | 8,5 | 0,75 |
| 340 0895 | 8 | 9,5 | 0,75 |
| 340 0810 | 8 | 10 | 1 |
| 340 0811 | 8 | 11 | 1,5 |
| 340 0911 | 9 | 11 | 1 |
| 340 1012 | 10 | 12 | 1 |
| 340 1214 | 12 | 14 | 1 |

Minimum quantity 5 m

Perbunan Rubber Tubing

Quality

Acrylnitrile-Butadiene-Rubber (NBR)
black, non reinforced, oil resistant

| Catalog No | Inner-Ø mm | Outer-Ø mm | Wall Thickness mm |
|------------|------------|------------|-------------------|
| 324 0307 | 3 | 7 | 2 |
| 324 0408 | 4 | 8 | 2 |
| 324 0508 | 5 | 8 | 1,5 |
| 324 0610 | 6 | 10 | 2 |
| 324 0711 | 7 | 11 | 2 |
| 324 0812 | 8 | 12 | 2 |
| 324 1014 | 10 | 14 | 2 |
| 324 1217 | 12 | 17 | 2,5 |
| 324 1319 | 13 | 19 | 3 |

Minimum quantity 5 m



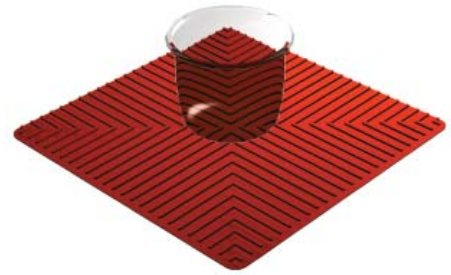
Laboratory-Mat

Quality

Silicone (VMQ)

temperature resistant up to +260° C

non - Slip



| Catalog No | Color | Dimension mm |
|------------|-------|--------------|
| 250 0250 | red | 250 x 250 |
| 250 0251 | black | 250 x 250 |
| 250 0350 | red | 350 x 350 |
| 250 0351 | black | 350 x 350 |

Silicone Sheets

Quality

Silicone Rubber (VMQ)

Durometer 60 Shore A, transparent

temperature range -60° C to +200° C

short periods up to +260° C



| Catalog No | Thickness mm | Sheet size mm |
|------------|--------------|---------------|
| 510 1001 | 1 | 600x550 |
| 510 1002 | 2 | 600x550 |
| 510 1003 | 3 | 600x550 |
| 510 1004 | 4 | 600x550 |
| 510 1005 | 5 | 600x550 |

Fluoroelastomer Rubber Sheets

Quality

Fluoroelastomer Rubber (FPM)

Durometer 75 Shore A, black

temperature range -10° C to over +200° C

good resistance to ozone and weathering as well as benzene and mineral oil



| Catalog No | Thickness mm | Sheet size mm |
|------------|--------------|---------------|
| 520 2001 | 1 | 200x200 |
| 520 3001 | 1 | 300x300 |
| 520 2015 | 1,5 | 200x200 |
| 520 3015 | 1,5 | 300x300 |
| 520 2002 | 2 | 200x200 |
| 520 3002 | 2 | 300x300 |
| 520 2003 | 3 | 200x200 |
| 520 3003 | 3 | 300x300 |
| 520 2004 | 4 | 200x200 |
| 520 3004 | 4 | 300x300 |

Typical Properties of Vulcanized Rubber

| | Natural Rubber | Styrol-Butadiene Rubber | Butyl-Rubber | Ethylene-Propylene-Diene Rubber | Silicone Rubber | Chloroprene-Rubber | Nitrile-Rubber | Fluoro-Rubber | | | |
|--|---|-------------------------|---------------|---------------------------------|--------------------|--------------------|-----------------|---------------|-------------------|-----------------|---|
| International Symbol | NR | SBR | IIR | EPDM | VMQ | CR | NBR | FKM | | | |
| Trade Name, z.B. | SMR | Buna-Hüls EM | Polysar-Butly | Buna AP Keltan | Elastosil Silastic | Baypren Neoprene | Perbunan Krynac | Viton Fluorel | Labels | | |
| Durometer Shore A | 30-90 | 35-95 | 30-80 | 30-90 | 30-85 | 25-90 | 30-95 | 40-90 | | | |
| Mechanical Properties @ Room temperature | Tensile strength (bei aktiv gefüllten Mischungen) | 1 | 2 | 3 | 3 | 4 | 2 | 3 | N/mm ² | | |
| | Elongation | 1 | 2 | 1 | 3 | 4 | 2 | 3 | % | | |
| | Resilience | 1 | 3 | 6 | 2 | 3 | 3 | 4 | 6 | % | |
| | Tear growth resistance | 2 | 3 | 3 | 3 | 4 | 2 | 3 | 4 | N/mm | |
| | Abrasion (bei Mischungen mit verstärkenden Füllstoffen) | 3 | 3 | 4 | 3 | 5 | 3 | 2 | 4 | mm ³ | |
| | Resistance to permanent deformation | At high Temperatures | 4 | 4 | 2 | 3 | 1 | 4 | 3 | 1 | % |
| | | At low Temperatures | 2 | 3 | 2 | 3 | 1 | 4 | 4 | 5 | % |
| Thermal Properties | Cold flexibility | 2 | 3 | 2 | 3 | 1 | 3 | 4 | 5 | Note | |
| | Heat Resistance | 6 | | 4 | 4 | 1 | 4 | 4 | 1 | Note | |
| Chemical Resistances | Benzine | 6 | 5 | 5 | 6 | 5 | 3 | 2 | 1 | | |
| | Mineral Oil @ 100° C | 6 | 5 | 6 | 5 | 2 | 3 | 1 | 1 | | |
| | Acid (25%ige H ₂ SO ₄ bei 50° C) | 4 | 4 | 1 | 1 | 4 | 2 | 2 | 1 | | |
| | Base (50%ige NaOH bei 50° C) | 2 | 2 | 1 | 1 | 6 | 2 | 6 | 1 | | |
| | Water @ 100° C | 5 | 5 | 2 | 1 | 2 | 3 | 2 | 3 | | |
| | Weathering and Ozone | 4 | 4 | 3 | 1 | 1 | 2 | 5 | 1 | Note | |
| | Light | 4 | 4 | 3 | 2 | 1 | 3 | 4 | 1 | Note | |
| Gas Permeability | 5 | 4 | 1 | 4 | 6 | 3 | 2 | 1 | Note | | |

Classification

1 very good
 2
 3
4
 5
 6 bad

[Back](#)





Rubber mold articles based on client drawing or samples
for all kind of industries

DEUTSCH & NEUMANN GmbH 

Richard-Wagner-Straße 48-50 · D-10585 Berlin
Telephone +49 (0)30 34 79 11-0 · Fax +49 (0)30 34 79 11-99
internet: www.deutsch-neumann.de · e-mail: DEUTSCH-NEUMANN@t-online.de